

**MINNESOTA DEPARTMENT OF TRANSPORTATION**

**DEVELOPED BY:** Design Standards

**ISSUED BY:** Office of Project Management and Technical Support,  
Design Support Section

**TRANSMITTAL LETTER NO. (17-01)**

**MANUAL:** Standard Plates

**DATED:** January 5, 2017

**SUBJECT: Standard Plate 8107 – RLF Equipment Pad Foundation Layout**

The following Standard Plate is new:

8107A – RLF Equipment Pad Foundation layout

**INSTRUCTIONS:**

- Record the transmittal letter number, date, and subject on the transmittal record sheet located in the front of the manual. The previous Transmittal Letter No. issued for this manual was 16-03, dated September 15, 2016.
- Remove from the Standard Plate manual:
  - Standard Plate Index, Sheets 1-4 of 4, Numerical Index of Standard Plates (July 19, 2016)
- Insert into the Standard Plate manual:
  - Standard Plate Index, Sheets 1-4 of 4, Numerical Index of Standard Plates (December 16, 2016)
  - Standard Plate 8107A, Sheets 1-3 of 3 (December 16, 2016)
- Current Standard Plates including Transmittal Letters are available on the web at:  
<http://standardplates.dot.state.mn.us/stdplate.aspx>
- Direct any technical questions regarding this transmittal to Tim Brown, Design Standards Unit at (651) 366-4613.



Michael Elle, P.E.  
Design Standards Engineer

**THIS PAGE INTENTIONALLY LEFT BLANK**

# STANDARD PLATES

BLANK .....	0000 SERIES
PAVEMENT .....	1000 SERIES
BLANK .....	2000 SERIES
CULVERTS AND APPURTENANCES .....	3000 SERIES
SEWER APPURTENANCES .....	4000 SERIES
EROSION CONTROL STRUCTURES.....	5000 SERIES
BLANK .....	6000 SERIES
CURB, CURB AND GUTTER, SIDEWALK.....	7000 SERIES
BARRICADES, SIGNALS, MARKERS, ETC. ....	8000 SERIES
MISCELLANEOUS.....	9000 SERIES

**PLATE NO.**

**0000 SERIES—BLANK**

**1000 SERIES—PAVEMENT**

- 1070M Supplemental Pavement Reinforcement
- 1103K Typical Dowel Bar Assembly (2 Sheets)
- 1150R Concrete Header Joints (2 Sheets)
- 1210G Concrete Pavement Adjacent to Railway Crossing

**2000 SERIES—BLANK**

**3000 SERIES—CULVERTS AND APPURTENANCES**

- 3000L Reinforced Concrete Pipe (5 Sheets)
- 3001B Reinforced Concrete Reducer Pipe
- 3002B Reinforced Concrete Increaser Pipe
- 3006G Gasket Joint for R.C. Pipe (2 Sheets)
- 3007E Shear Reinforcement for Precast Drainage Structures
- 3014J Reinforced Concrete Pipe Arch (2 Sheets)
- 3020G Reinforced Precast Concrete Cattle Pass (60" & 72")
- 3022C Precast Concrete Safety Apron (3 Sheets)
- 3040F Corrugated Metal Pipe Culvert (Standard 2-2/3" x 1/2" Corrugation)
- 3041D Corrugated Metal Pipe (3" x 1" Corrugation)
- 3050B Design Data Structural Plate Structures (18" Corner Radius)
- 3051B Design Data Structural Plate Structures (31" Corner Radius)
- 3065C Connection between Existing Culv. & New "C" Culv. Barrel (2 Sheets)
- 3066A C.M. Extension for Box Culvert
- 3100G Concrete Apron for Reinforced Concrete Pipe
- 3110G Concrete Apron for Reinforced Concrete Pipe-Arch
- 3114H Sectional Concrete Apron for Reinforced Concrete Pipe-Arch
- 3122K Metal Apron for C.M. Pipe-Arch Culvert
- 3123J Metal Apron for C.S. Pipe
- 3124B Metal Apron Connection
- 3125A Inlet Protection for Metal Culverts (90" dia. to 96" dia.)
- 3126B Inlet Protection for Structural Plate Pipe (60" thru 96" dia. or span)
- 3127A Inlet Protection for Structural Plate Pipe (102" thru 180" dia. or span)

**PLATE NO.**

3128H	Metal Safety Apron & Grate (2 Sheets)
3129A	Metal Apron for Corrugated Polyethylene Pipe (Use at Entrances and Driveways)
3131C	Precast Concrete Headwall for Subsurface Drains
3132A	Grate for 1:4 Precast Concrete Aprons
3133D	Riprap at RCP Outlets
3134D	Riprap at CSP Outlets
3135A	Hand-Placed Riprap at Precast Concrete Cattle Pass
3136B	Slotted Vane Drain for P.V.C. Pipe
3137B	Slotted Drain for 12" thru 30" Dia. C.M. Pipe (Stackable)
3138B	Slotted Drain for 12" thru 30" Dia. C.M. Pipe (Not Stackable)
3139B	Riprap at Precast Concrete End Sections
3142A	Outlet Screen for C.M. & S.C. Pipes
3143C	Inspection Tees
3145G	Concrete Pipe or Precast Culvert Ties
3146C	Anti-Seepage Diaphragm (For CMP and CMP-A)
3148A	Safety Slope Metal End Section for Circular & Arched Pipes (2 Sheets)
3221C	Corrugated Steel Pipe Coupling Band (3 Sheets)

**4000 SERIES--SEWER APPURTENANCES**

## Drainage Structure and Castings (4 Sheets)

- Structure and Casting Combinations
- Standard Casting Assemblies
- List of Castings
- List of Drainage Structures

4000J	Manhole or Catch Basin (Masonry, Field Constructed) - Design A
4002F	Manhole or Catch Basin (Masonry, Field Construction) - Design C
4003B	30" Precast Catch Basin – Design N
4005M	Manhole or Catch Basin Type A & B Cone Sections Precast - Design F
4006L	Manhole or Catch Basin Precast - Designs G and H
4007C	Precast Mechanical Joint Sewer Manhole
4008E	Catch Basin (Sectional Concrete Pipe) - Design I
4009H	Manhole or Catch Basin (Sectional Concrete Pipe) - Design J
4010H	Concrete Short Cone & Adjusting Ring (Sectional Concrete)
4011E	Precast Concrete Base
4017C	Catch Basin (Concrete Pipe and Metal Pipe) - Designs PC and PM
4018B	Manhole or Catch Basin (Reducer Cone Section Precast) Design D
4020J	Manhole or Catch Basin (For Use With or Without Traffic Loads) (2 sheets)
4021F	Precast Curb Opening Catch Basin
4022A	Manhole or Catch Basin Cover (3 ft. X 2 ft. Opening)
4024A	48" Dia. Precast Shallow Depth Catch Basin - Design SD
4025B	Drop Inlets or Catch Basins - Design DI (Concrete & Metal)
4026A	Concrete Encased Concrete Adjusting Rings
4101D	Ring Casting For Manhole or Catch Basin
4108F	Adjusting Rings for Catch Basins and Manholes
4110F	Cover Casting for Manhole (For Use in all Traffic Areas) – Casting No. 715 and 716
4125D	Catch Basin Frame Casting (For Square Grate) – Casting No. 806
4126F	Catch Basin Frame Casting – Casting No. 801
4129G	Catch Basin Frame Casting (For Square Grate) - Casting No. 802A
4132F	Catch Basin Frame Casting (For Square Grate) – Casting No. 805
4133A	Curb Box Casting for Catch Basin - Casting No. 824
4134A	Curb Box Casting for Catch Basin (For Design B Curbs) - Casting No. 825
4140D	Special Grate Castings for Catch Basin (Convex and Concave) - Casting No. 720 and 721
4143E	Stool Grate & Concrete Frame (Median Drains) - Casting No. 731
4149C	Grate Casting for Catch Basin - Casting No. 810

**PLATE NO.**

- 4150C Grate Casting for All Pipe Drainage Structures
- 4151B Grate Casting for Catch Basin (Square Type) - Casting No. 811
- 4152C Catch Basin Grate Casting - Casting No. 814A
- 4153A Catch Basin Grate Casting - Casting No. 815
- 4154B Catch Basin Grate Casting - Casting No. 816
- 4160D Curb Box Casting for Catch Basin - Casting No. 823A and 833A
- 4161F Curb Box Casting for Catch Basin - Casting No. 821B, 822 and 831A
- 4180J Manhole or Catch Basin Step

**5000 SERIES--EROSION CONTROL STRUCTURES**

- 5010A Reinforced Concrete Pipe Energy Dissipater

**6000 SERIES -- Blank**

**7000 SERIES--CURB, CURB AND GUTTER, SIDEWALK**

- 7000E Integrant Curbs (Design B, Design V and Design D)
- 7020K Concrete Curb (Design B, Design V, Design S, Design DR and Design BR) (2 Sheets)
- 7035N Concrete Walk & Curb Returns at Entrances
- 7038A Detectable Warning Surface Truncated Domes
- 7065C Bituminous Curb
- 7100H Concrete Curb and Gutter (Design B and Design V)
- 7102J Concrete Curb and Gutter (Designs D, S, B4, B5 and D3) (2 Sheets)
- 7105C Concrete Median (Mountable Type)
- 7107I Entrance Nose (Urban Design)
- 7108G Exit Nose (Urban Design)
- 7109C Median Nose and Island (Undivided to Divided Roadway)
- 7111J Installation of Catch Basin Castings (Concrete Curb and Gutter)
- 7112C Installation & Reinforcement of Catch Basin & Manhole Castings (Concrete Integrant Curbs)
- 7113A Concrete Approach Nose Detail

**8000 SERIES -- BARRICADES, SIGNALS, MARKERS, ETC.**

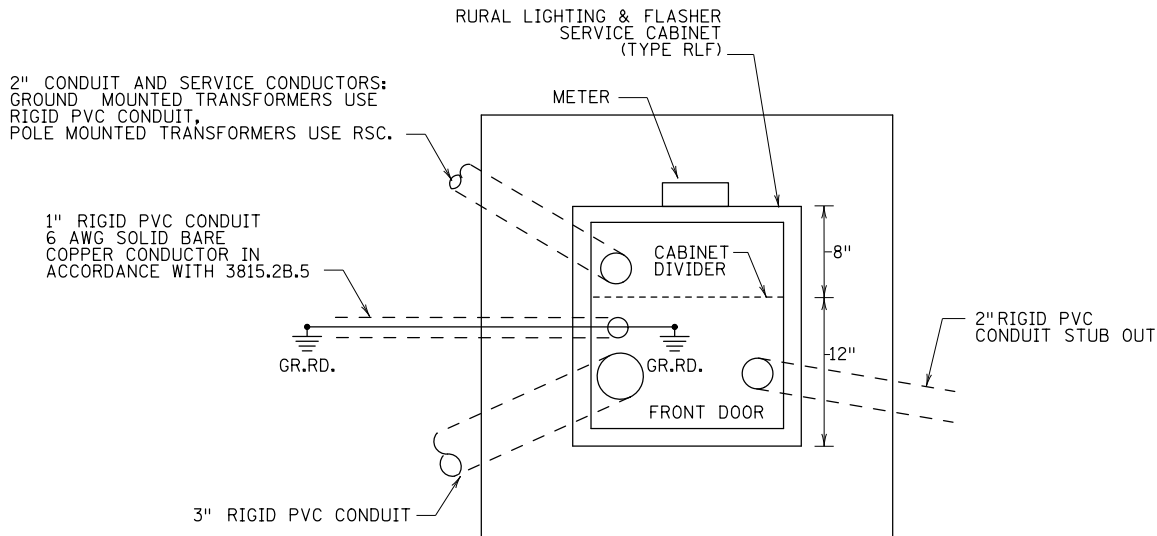
- 8000J Channelizers
- 8002G Permanent Barricade
- 8106D Equipment Pad B
- 8107A RLF Equipment Pad Foundation Layout
- 8110E Traffic Signal Bracketing (Pole Mounted)
- 8111E Traffic Signal Bracketing (Pedestal Mounted) (3 Sheets)
- 8112I Pedestal Foundation (Traffic Control Signals)
- 8117G Precast Concrete HandHole With Vehicle Load
- 8118D Service Equipment & Pole Traffic Control Signals
- 8119C Ground Mounted Cabinet Foundation
- 8120Q Pole Foundation (PA85)
- 8121H Transformer Base and Pole Base Plate (PA85, PA90 and PA100) (2 Sheets)
- 8122F Pedestal and Pedestal Base (For Traffic Control Signals Support) (2 Sheets)
- 8123G Pole and Mast Arm Luminaires and Traffic Lights Assembly (For All Pole Types) (2 Sheets)
- 8126L Pole Foundation (PA90 and PA100)
- 8127E Light Foundation - Design E, Precast/Cast-In-Place, 40 ft. Pole or Less (2 Sheets)
- 8128E Light Foundation - Design H, Precast/Cast-In-Place, 49 ft. Pole (2 Sheets)

**PLATE NO.**

8129A Shim and Washer (Traffic Control Signals and Roadway Lighting)  
8130E Saw Cut Loop Detectors (3 Sheets)  
8132B Preformed Rigid PVC Conduit Loop Detector (3 Sheets)  
8133A Pole and Mast Arm - Type BA (9 Sheets)  
8134C Pole Foundation - Type BA (4 Sheets)  
8150C Installation of Culvert Markers  
8307S W-Beam Guardrail & End Anchorages (Installation with Wood Posts) (4 Sheets)  
8308B Reinforced Concrete Median Barrier Type F (Non-Glare Screen Type) Design 8308 (3 Sheets)  
8309B Reinforced Concrete Median Barrier Type F & Glare Screen Design 8309 (3 Sheets)  
8316C Post Seat for Anchorage on Footing or Box Culverts  
8318C Guardrail Anchorage Plate for Bridges and BCT'S  
8326D Flexible Plastic Glare Screen  
8329I Eccentric Loader Breakaway Cable Terminal (ELT) (4 Sheets)  
8330G 3-Cable Guardrail (With Wood Posts) (Assembly Details) (2 Sheets)  
8331B 3-Cable Guardrail (With Steel Posts) (3 Sheets)  
8332D Anchor Bolt Cluster and Base Plate for Light Poles  
8333B 3-Cable Guardrail Anchor (Anchor Details) (4 Sheets)  
8337C Temporary Portable Precast Concrete Barrier (Type "F") (3 Sheets)  
8338D W-Beam Guardrail & End Anchorages (Installation with Steel Posts) (4 Sheets)  
8339A 3-Cable (Steel Posts) to W Beam (Wood Posts) Guardrail Transition  
8340A 3-Cable (Steel Posts) to W Beam (Steel Posts) Guardrail Transition  
8342B High-Tension Cable Barrier Line Post Foundation (Concrete Design)  
8343A High-Tension Cable Barrier Line Post Foundation (Steel Design)  
8347A Portable Precast Concrete Barrier Anchors  
8350A Thrie Beam Anchorage Plate  
8352A Thrie Beam Wedge Plate for Single Slope Barrier  
8400E Pipe Railing  
8401C At Grade Pipe Railing (Adjacent to Sidewalk)

**9000 SERIES--MISCELLANEOUS**

9000E Approaches and Entrances - Recommended Standards  
9101B Shaping and Sodding of Slopes at Box Culvert Ends  
9102E Turf Establishment Areas (At Pipe Culvert Ends)  
9303B Geodetic Survey Disks (Aluminum) (2 Sheets)  
9304A Geodetic Survey Disks (Removable Type Disk)  
9308A Survey Monument Cap (2 Sheets)  
9309G PLS (Public Land Survey) Monument (2 Sheets)  
9320G Woven Wire Fence (Wood Post)  
9321E Woven Wire Fence (Steel Post)  
9322K Chain Link Fence (2 Sheets)  
9323D Barbed Wire Fence (Wood Post)  
9324C Barbed Wire Fence (Steel Post)  
9350A Mailbox Support (Swing-Away Type)



PLAN VIEW

NOTES:

1/2" RADIUS ON ALL FORMED EDGES OF PAD.

COVER THE TOP OF THE CONDUITS AFTER PLACEMENT UNTIL THE CONDUCTORS ARE PLACED.

LOCATE CONDUITS INSIDE THE CABINET AWAY FROM SUPPORTING MEMBERS AND DIVIDERS OF THE CABINET.

PROVIDE TWO 15 FOOT LONG GROUND ROD ELECTRODES. PLACE A GROUNDING ELECTRODE SYSTEM IN ACCORDANCE WITH SPEC 2545.3F.3, SEE DETAIL (GROUNDING ELECTRODE SYSTEM FOR CAST-IN-PLACE PAD) ON SHEET 3 OF STANDARD PLATE 8106.

USE CONCRETE MIX 3F52.

USE GALVANIZED ANCHOR RODS, NUTS, AND WASHERS SUPPLIED WITH THE CABINET.

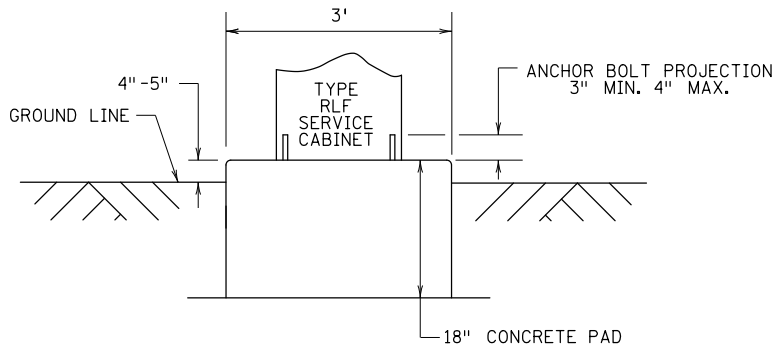
APPROVED DECEMBER 16, 2016

*Ron Smith*  
STATE DESIGN ENGINEER

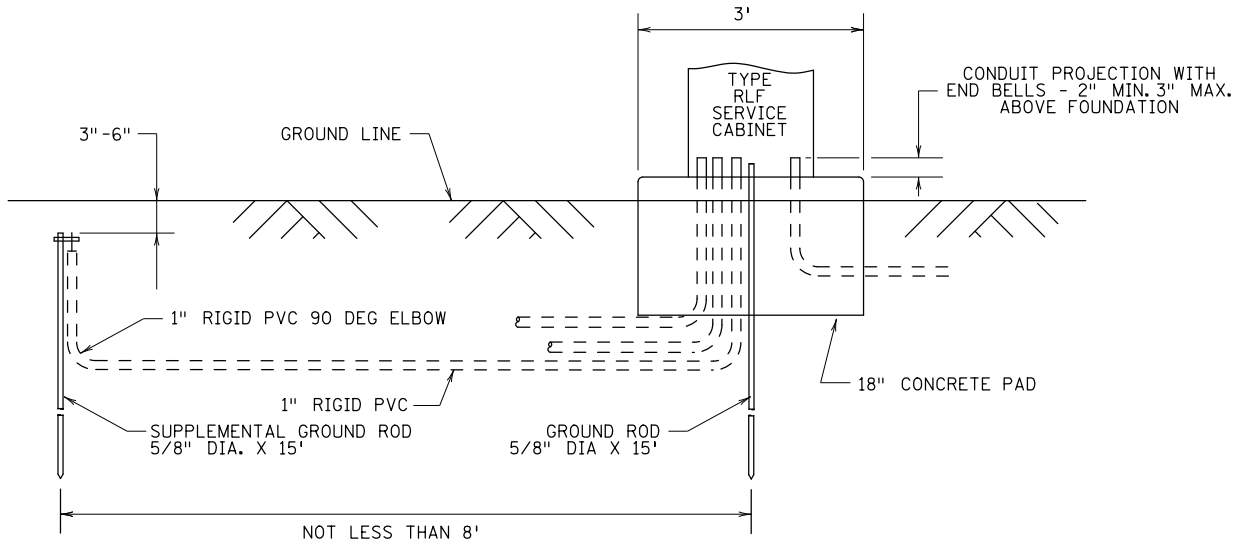
STATE OF MINNESOTA  
DEPARTMENT OF TRANSPORTATION  
RLF EQUIPMENT PAD  
FOUNDATION LAYOUT  
(CAST-IN-PLACE)

SPECIFICATION  
REFERENCE  
2461  
2545  
3850

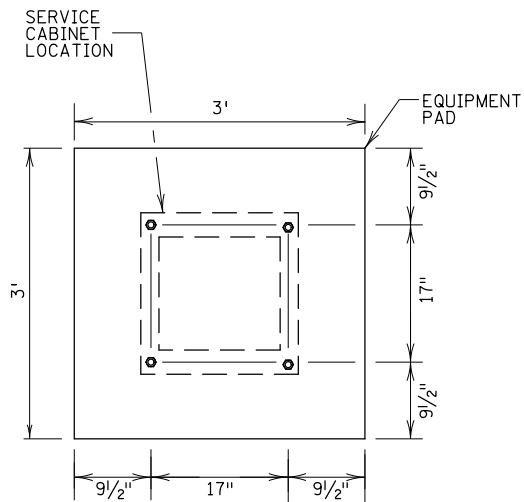
STANDARD  
PLATE  
NO.  
8107A  
1 OF 3



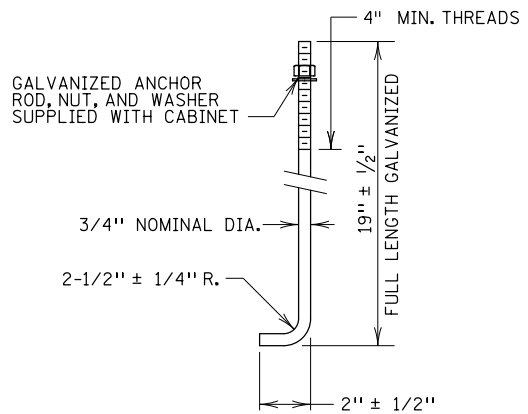
SIDE VIEW



FRONT VIEW



ANCHOR ROD LOCATION DETAIL



ANCHOR ROD DETAIL  
(SPEC. 3385 TYPE A OR TYPE B AND GALVANIZED PER SPEC 3392)

SEE NOTES ON SHEET 1 OF 3.

APPROVED DECEMBER 16, 2016

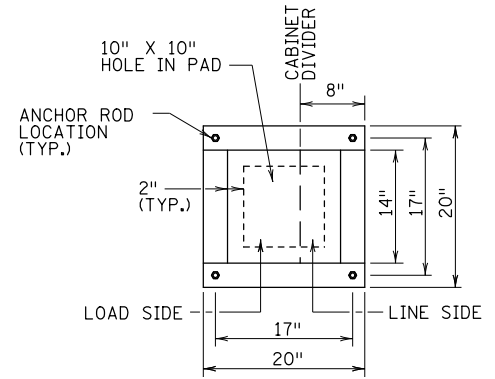
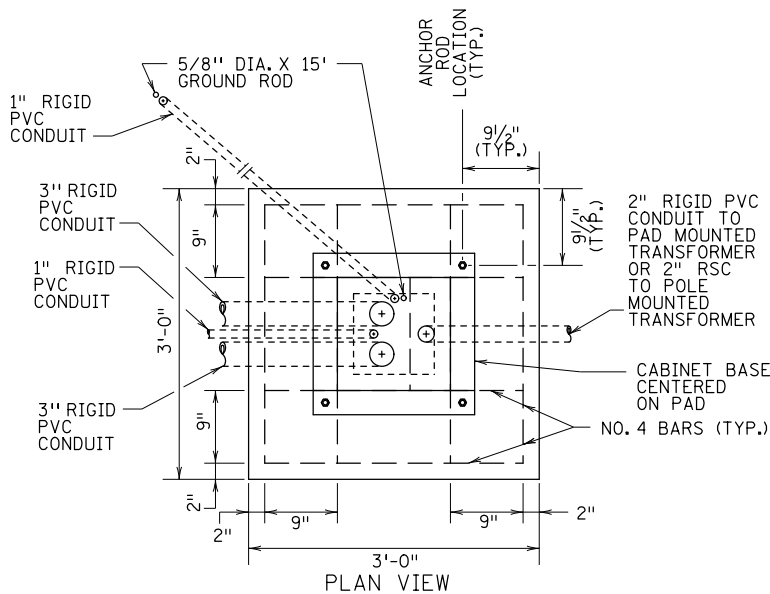
*Ron Smith*  
STATE DESIGN ENGINEER

STATE OF MINNESOTA  
DEPARTMENT OF TRANSPORTATION  
RLF EQUIPMENT PAD  
FOUNDATION LAYOUT  
(CAST-IN-PLACE)

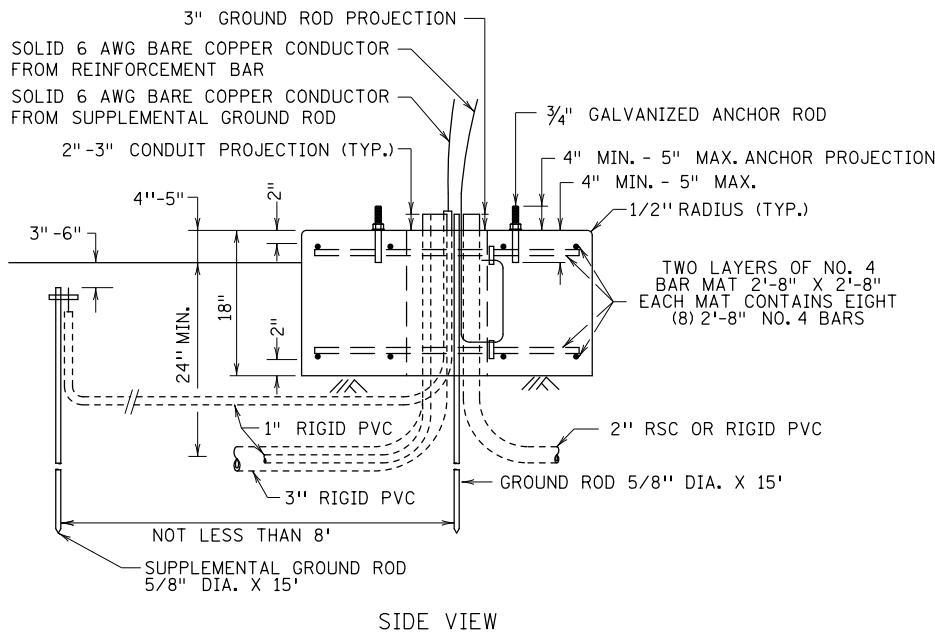
SPECIFICATION  
REFERENCE  
2451  
2545  
3850

STANDARD  
PLATE  
NO.  
8107A  
2 OF 3

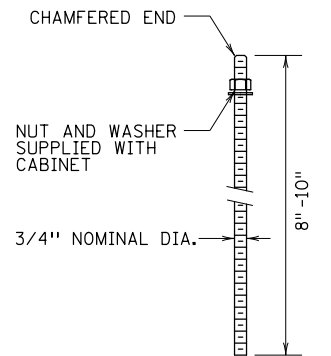




CABINET BASE



SIDE VIEW



ANCHOR ROD DETAIL  
(SPEC. 3385 TYPE A OR TYPE B AND GALVANIZED PER SPEC 3392)

NOTES:

FILL 10" X 10" HOLE IN PAD WITH A MATERIAL APPROVED BY THE ENGINEER AFTER THE CONDUITS AND GROUND ROD HAVE BEEN PLACED.

USE CONCRETE MIX 3Y82.

1/2" RADIUS ON ALL EDGES OF PAD.

CAP THE TOP OF THE CONDUITS AFTER PLACEMENT UNTIL THE CONDUCTORS ARE PLACED.

LOCATE CONDUITS INSIDE THE CABINET AWAY FROM SUPPORTING MEMBERS AND DIVIDERS OF THE CABINET.

PROVIDE TWO 15' LONG GROUND ROD ELECTRODES. PLACE A GROUNDING ELECTRODE SYSTEM IN ACCORDANCE WITH SPEC 2545.3F.3. SEE DETAIL (GROUNDING ELECTRODE SYSTEM FOR PRECAST PAD) ON SHEET 3 OF STANDARD PLATE 8106.

CENTER CABINET ON PAD.

PROVIDE 3/4" GALVANIZED ANCHOR RODS, INSERT ANCHOR RODS IN 7/8" DIA. DRILLED HOLES 4" TO 5" DEEP WITH AN APPROVED EPOXY ADHESIVE FOUND ON MnDOT'S APPROVED/QUALIFIED PRODUCTS LIST (ACCESSIBLE PEDESTRIAN SIGNAL (APS) PUSH BUTTON BASE ADHESIVE ANCHORING). USE GALVANIZED NUTS AND WASHERS SUPPLIED WITH CABINET FOR ANCHOR RODS.

DO NOT USE MECHANICAL OR CONCRETE WEDGE ANCHORS. DO NOT WET CAST ANCHORS.

APPROVED DECEMBER 16, 2016

*Rom Sln*  
STATE DESIGN ENGINEER

STATE OF MINNESOTA  
DEPARTMENT OF TRANSPORTATION  
RLF EQUIPMENT PAD  
FOUNDATION LAYOUT  
(PRECAST)

SPECIFICATION  
REFERENCE  
2451 2462  
2545 2550  
2565 3301  
3850

STANDARD  
PLATE  
NO.  
8107A  
3 OF 3

**THIS PAGE INTENTIONALLY LEFT BLANK**